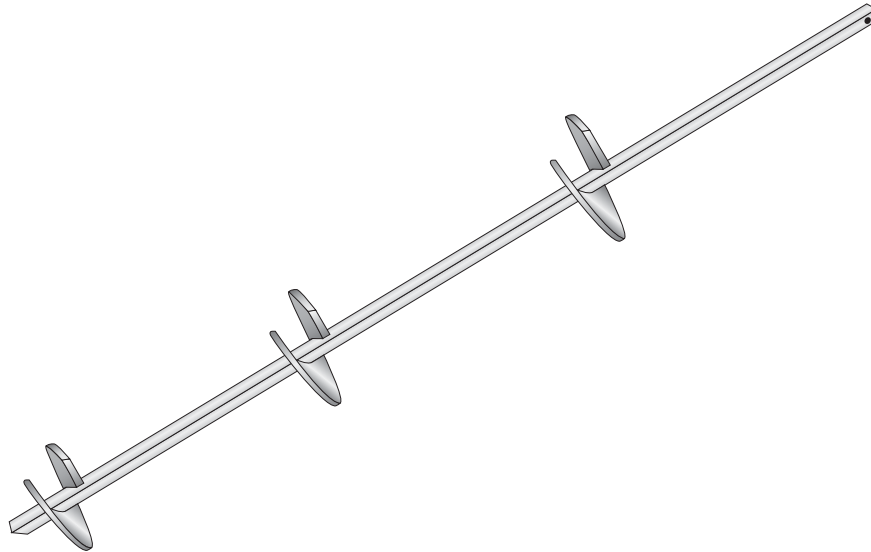


**HTAF-200-84-10-12-14 -- Square Shaft 2" RCS Lead Section**



<b>Product Specifications</b>	
Anchor Style	Square Shaft (200) Anchor
Component	Lead Section
Number of Helices	3
Helix Diameter	10" (254mm) - 12" (305mm) - 14" (355mm)
Length	84" (2134mm)
Flight Thickness	1/2" (12.7mm)
Flight Yield Strength	80,000 lbs (358.4 kN)
Rod Tensile Strength	150,000 lbs (667.2 kN)
Torque Rating	15,000 Ft Lbs (20,340 N-M)
Coating	Hot-Dip Galvanized
Standard Package	25
Standard Package Unit	EA
Min Order Qty	1
Weight/Ea.	110 lbs
Weight Per Pallet	2750 lbs

**Notes**  
 Square Shaft (200) Lead Section, 84"(2134mm) long with 10" (254mm) - 12" (305mm) - 14" (355mm) Helices