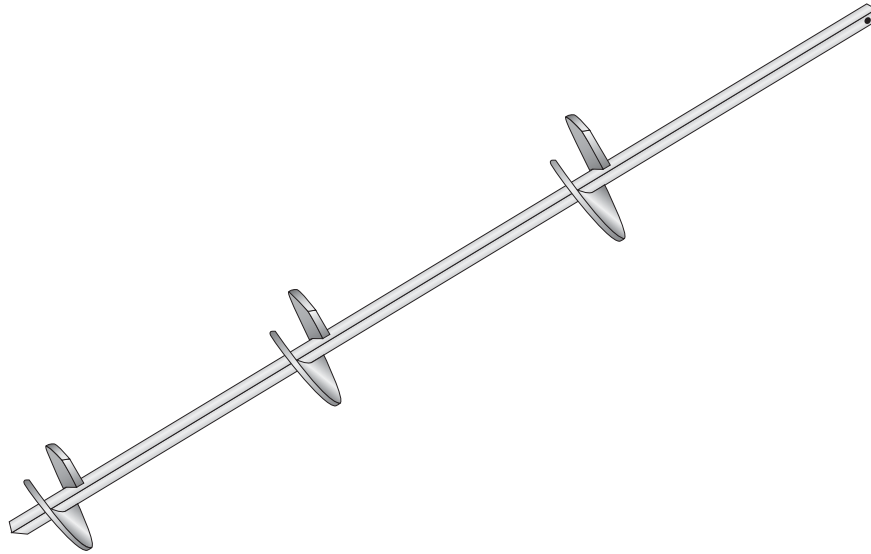


HTAF-200-66-8-10-12 -- Square Shaft 2" RCS Lead Section



Product Specifications	
Anchor Style	Square Shaft (200) Anchor
Component	Lead Section
Number of Helices	3
Helix Diameter	8" (203 mm) - 10" (254 mm) - 12" (305 mm)
Length	66" (1676 mm)
Flight Thickness	1/2" (12.7 mm)
Flight Yield Strength	80,000 lbs (358.4 kN)
Rod Tensile Strength	150,000 lbs (667.2 kN)
Torque Rating	15,000 Ft Lbs (20,340 N-M)
Coating	Hot-Dip Galvanized
Standard Package	25
Standard Package Unit	EA
Min Order Qty	1
Weight/Ea.	106 lbs
Weight Per Pallet	2700 lbs

Notes
 Square Shaft (200) Lead Section, 66" Length (1676 mm) long with 8" (203 mm)-10" (254 mm) - 12" (305 mm) Helices