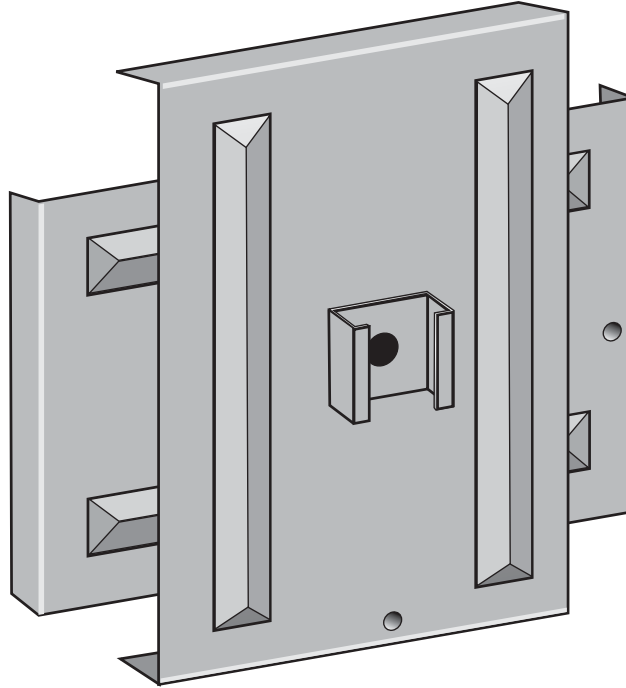


**PAM-1616--Cross Plate Anchor**



**Product Specifications**

Anchor Style	Guy Anchor
Component	Cross Plate Anchor
Rod Diameter	5/8" (15.9mm) or 3/4" (19.05mm)
Hole Size	20" (508mm)
Area	250 sq in (1613 sq cm)
Coating	Painted
Standard Package	4
Standard Package Unit	Each
Weight/ Ea	17 lbs
Min Order Qty	4

**Notes**  
 Cross Plate Anchor 20" (508 mm) Hole Diameter, uses 5/8" (15.9 mm) or 3/4" (19.05 mm) Rod