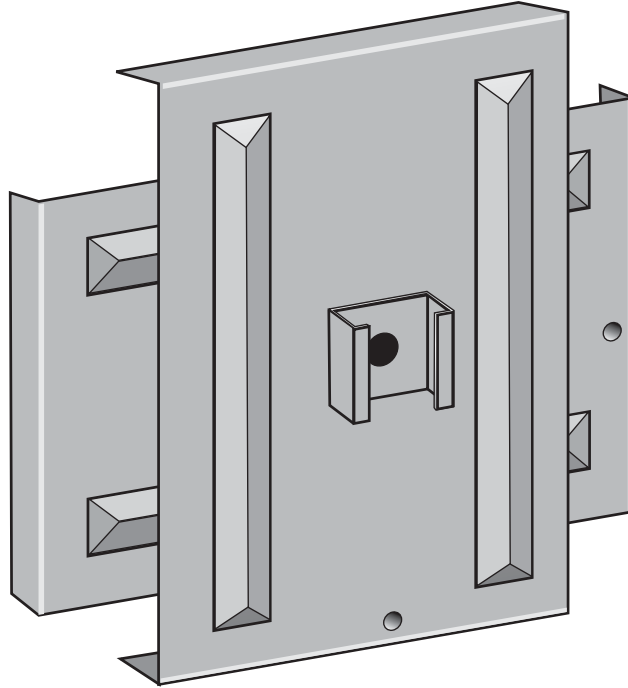


PAL-2420--Cross Plate Anchor



Product Specifications

Anchor Style	Guy Anchor
Component	Cross Plate Anchor
Rod Diameter	1" (25.4 mm)
Hole Size	24" (400mm)
Area	400 sq in (2581 sq cm)
Coating	Painted
Standard Package	1
Standard Package Unit	Each
Weight/ Ea	32 lbs
Min Order Qty	1

Notes

Cross Plate Anchor 24" (610 mm) Hole Diameter, uses 1" (25.4 mm) Rod