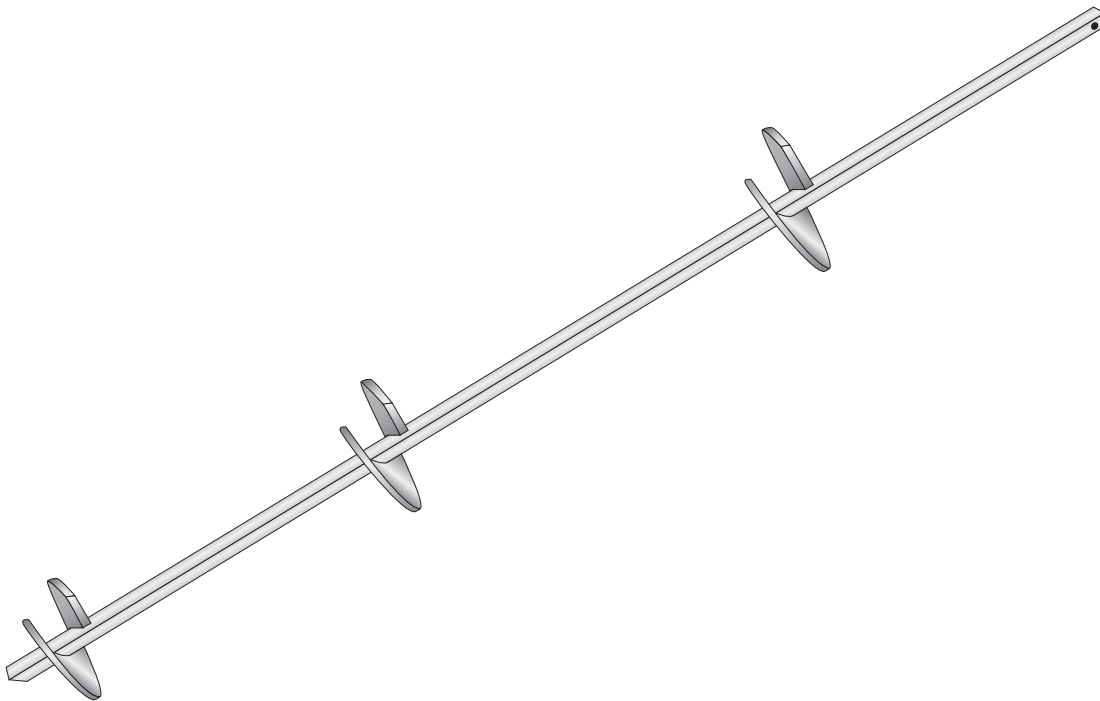


**TAF-150-84-6-8-10 -- Square Shaft 1-1/2" RCS Lead Section**



**Product Specifications**

Anchor Style	Square Shaft (150) Anchor
Component	Lead Section
Number of Helices	3
Helix Diameter	6" (152 mm) - 8" (203 mm) - 10" (254)
Length	84" (2134 mm)
Flight Thickness	3/8" (9.5 mm)
Flight Yield Strength	50,000 lbs (222.4 kN)
Rod Tensile Strength	70,000 lbs (311.4 kN)
Torque Rating	7,000 Ft Lbs (9,492 N-M)
Coating	Hot-Dip Galvanized
Standard Package	25
Standard Package Unit	EA
Min Order Qty	1
Weight/Ea.	72 lbs
Weight Per Pallet	1800 lbs

**Notes**

Square Shaft (150) Lead Section, 84" Length (2134 mm) long with 6" (152 mm) -8" (203 mm) - 10" (254) Helices