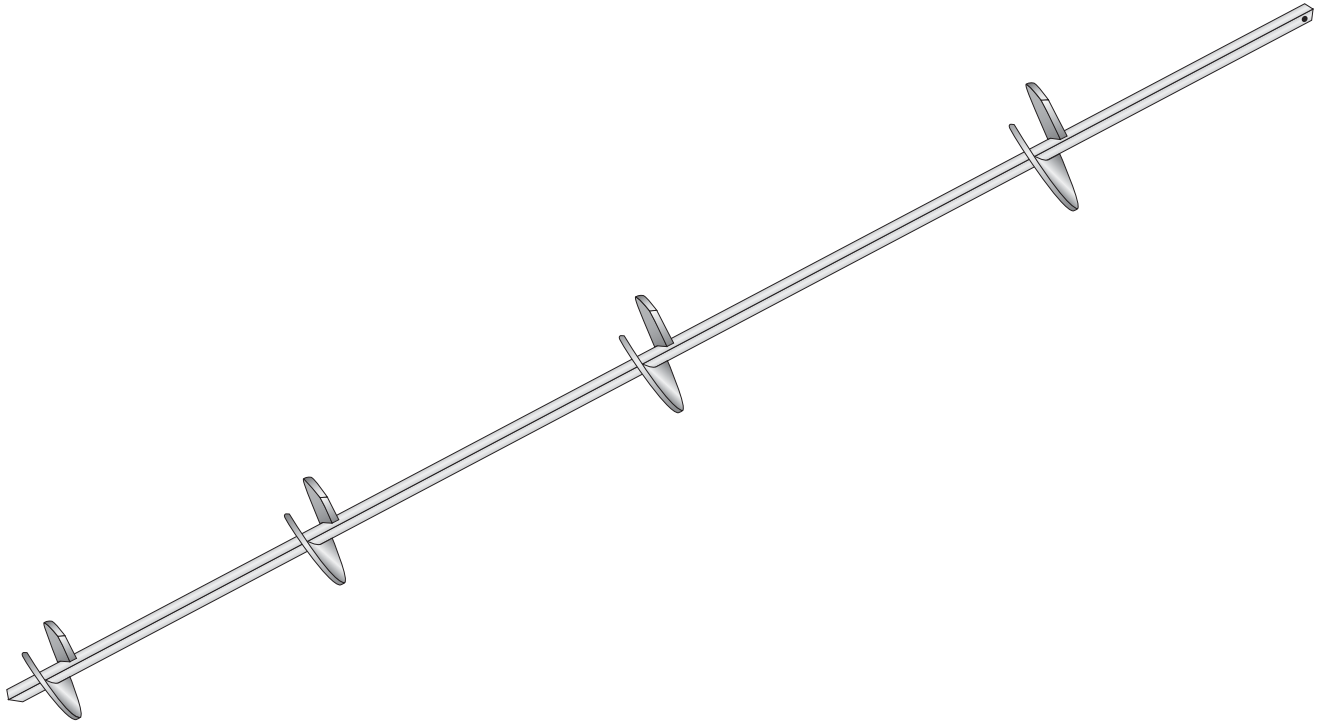


**TAF-150-120-8-10-12-14 -- Square Shaft 1-1/2" RCS Lead Section**



**Product Specifications**

|                       |                                                       |
|-----------------------|-------------------------------------------------------|
| Anchor Style          | Square Shaft (150) Anchor                             |
| Component             | Lead Section                                          |
| Number of Helices     | 4                                                     |
| Helix Diameter        | 8" (203 mm) - 10" (254 mm) - 12" (305 mm) - 14" (356) |
| Length                | 120" (3048 mm)                                        |
| Flight Thickness      | 3/8" (9.5 mm)                                         |
| Flight Yield Strength | 50,000 lbs (222.4 kN)                                 |
| Rod Tensile Strength  | 70,000 lbs (311.4 kN)                                 |
| Torque Rating         | 7,000 Ft Lbs (9,492 N-M)                              |
| Coating               | Hot-Dip Galvanized                                    |
| Standard Package      | 25                                                    |
| Standard Package Unit | EA                                                    |
| Min Order Qty         | 1                                                     |
| Weight/Ea.            | 121 lbs                                               |
| Weight Per Pallet     | 3025 lbs                                              |

**Notes**

Square Shaft (150) Lead Section, 120" Length (3048 mm) long with 8" (203 mm)- 10" (254 mm)- 12" (305 mm) - 14" (356) Helices