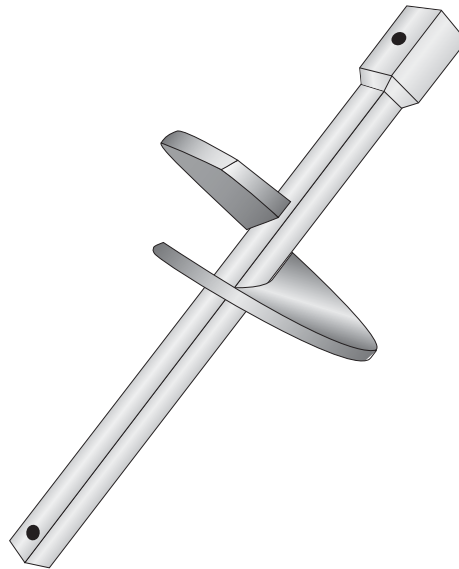


TAE-150-42-14 -- Square Shaft 1-1/2" RCS Extension with 14" Helix



Product Specifications

Anchor Style	Square Shaft (150) Anchor
Component	Extension with Helix
Length	42" (1067 mm)
Number of Helices	1
Helix Diameter	14" (355mm)
Rod Tensile Strength	70,000 lbs (311.4 kN)
Torque Rating	7,000 Ft Lbs (9,492 N-M)
Coating	Hot-Dip Galvanized
Standard Package	20
Standard Package Unit	EA
Min Order Qty	1
Weight/Ea.	44 lbs
Weight Per Pallet	2200 lbs

Notes

Square Shaft (150) Extension 42"(1067 mm) long with 14" (355mm) Helix